

# BAND FILTER UF

Our high quality band filters are produced in stainless steel. They are mainly used for filtration of coolants, oils and process fluids from cleaning systems and CNC-machines.

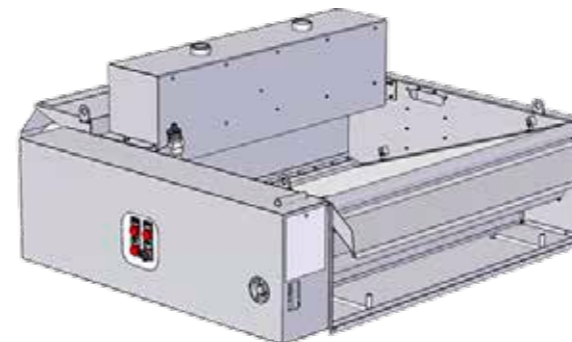
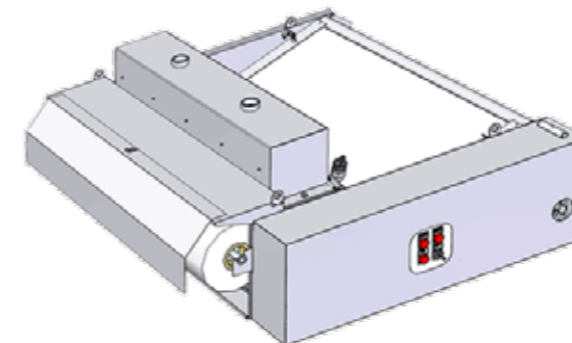
The band filters are produced in different sizes depending on customer needs and can filtrate up to 600 liters per minute. The band filters uses filter paper which can be acquired in different types depending on the application. The band filters can be used separately as stand-alone-units or as a build-in unit for larger filtration systems.

## Applications:

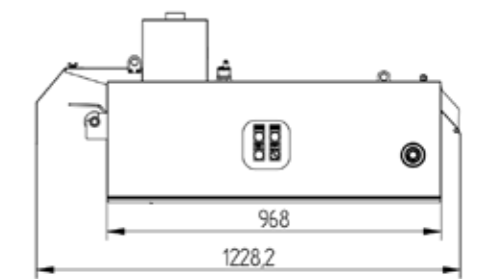
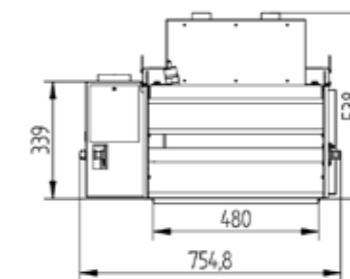
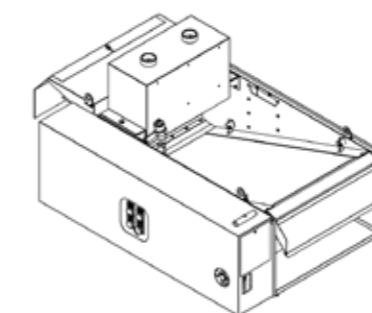
- Coolant
- Process fluid
- Oil
- Water treatment
- Sewage

## Extra options:

- Filter paper
- Stainless steel support frame
- Polypropylene or stainless steel container
- Tank unit
- Construction in AISI 316 / EN 1.4401



DRAWING:  
UF 500



- ✓ **100% stainless steel construction**  
Produced in AISI 304 / EN 1.4301.
- ✓ **Frequency regulated**  
The frequency regulated gear motor enables a smooth and slow movement of the of the filter paper, which ensures the permanent build-up of a filter cake.
- ✓ **Analog control cabinet**  
The band filter has a control cabinet with lamps to provide information about filter paper status and alarm status.
- ✓ **Level sensor**  
The digital level sensor ensures precise use of filter paper. This also makes the filter very efficient because of the continuously high fluid pressure. This reduces operation costs and results in better filtration.
- ✓ **Paper sensors**  
The band filter has built-in sensors for low paper and full paper.
- ✓ **Overflow surveillance**  
The band filter has build-in overflow surveillance. In case of overflow the bypass duct ensures that the fluid is lead through the filter instead of overflowing the filter.
- ✓ **CE - EU Machinery Directive**  
The band filter is produced in Denmark in conformity with the EU Machinery Directive.

MODEL	UF 250	UF 500	UF 700	UF 1000	UF 2000
Length	965 mm	965 mm	965 mm	965 mm	1965 mm
Width	450 mm	700 mm	900 mm	1200 mm	1200 mm
Inlet height	538 mm	538 mm	538 mm	538 mm	657 mm
1 ½" inlet	1 pcs.	2 pcs. (200 mm C-C)	2 pcs. (300 mm C-C)	2 pcs. (400 mm C-C)	2 pcs. (400 mm C-C)
Flow capacity	100 L/min	150 L/min	250 L/min	350 L/min	600 L/min
Power supply	1x230V / 3x400V + N + PE - 50 Hz	1x230V / 3x400V + N + PE - 50 Hz	1x230V / 3x400V + N + PE - 50 Hz	1x230V / 3x400V + N + PE - 50 Hz	1x230V / 3x400V + N + PE - 50 Hz
Control current	24 VDC	24 VDC	24 VDC	24 VDC	24 VDC
Protection grade	IP54	IP54	IP54	IP54	IP54